



ABN 30 364 773 907

Curved Plywood Specialists

13 -15 Leah Grove,
Carrum Downs VIC, 3201.
Australia.

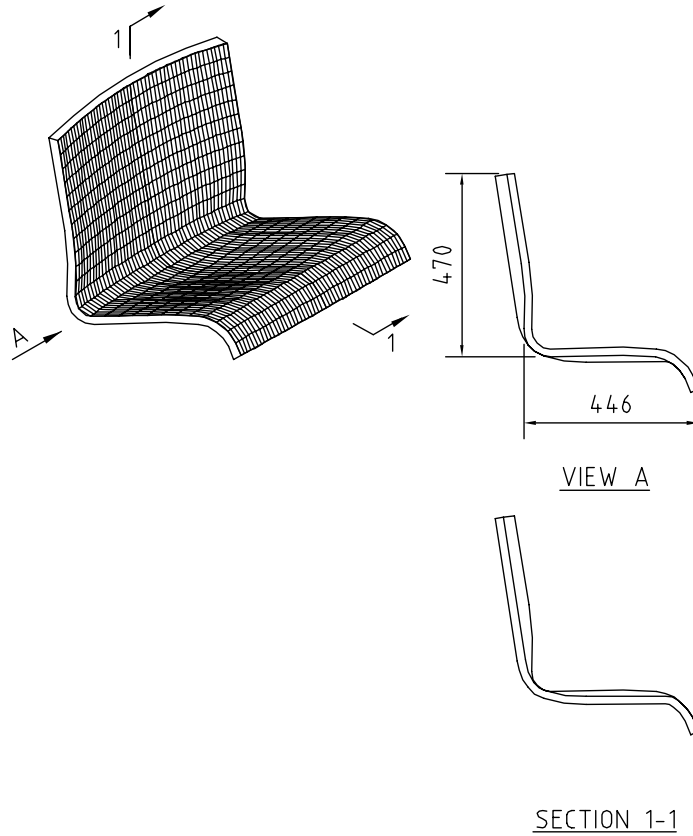
Tel: 61 3 9775 1663

Fax: 61 3 9775 1994

enq@slorachdesigns.com.au

www.slorachdesigns.com.au

M.R.S.B 2 EXCLUSIVE



SPECIFICATIONS CHAIR SHELL

| | |
|--------------------------|-----------------------------------|
| TOTAL THICKNESS :- | 12.8mm OR 20.4 |
| NUMBER OF LAMINATIONS :- | VARIABLE |
| MAXIMUM WIDTH :- | 500 |
| ADHESIVE :- | UREA FORMALDEHYDE GRASP CR560. |
| CURING METHOD:- | RADIO FREQUENCY. |
| GRADE:- | POLISH/UPHOLSTERY |