



ABN 30 364 773 907

*Curved Plywood Specialists*

13 -15 Leah Grove,  
Carrum Downs VIC, 3201.  
Australia.

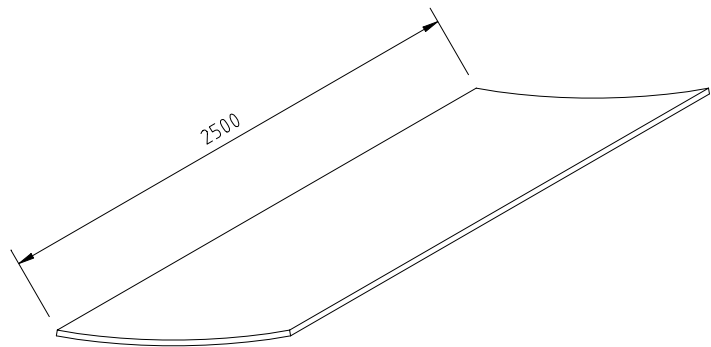
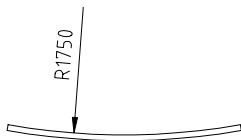
Tel: 61 3 9775 1663

Fax: 61 3 9775 1994

enq@slorachdesigns.com.au

www.slorachdesigns.com.au

No. 18



SPECIFICATIONS - CHAIR SEAT OR BACK

VARIABLE THICKNESS:-	7.5, 10, 12.5, 15, 17.5mm
NUMBER OF LAMINATIONS:-	VARIABLE
ADHESIVE:-	UREA FORMALDEHYDE GRASP CR560.
CURING METHOD:-	RADIO FREQUENCY.
MAXIMUM LENGTH:-	2500mm
WIDTH:-	400, 500, 600mm
GRADE:-	UPHOLSTERY