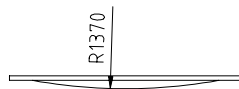


M.R.S 5 EXCUSIVE



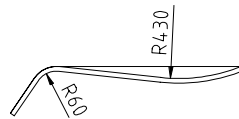
VIEW A



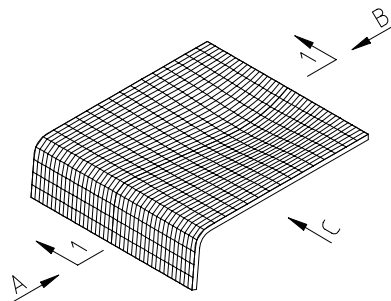
VIEW B



VIEW C



SECTION 1-1



SPECIFICATIONS CHAIR SEAT

TOTAL THICKNESS :-	VARIABLE
MAXIMUM DEPTH :-	500
MAXIMUM WIDTH :-	500
ADHESIVE :-	UREA FORMALDEHYDE GRASP CR560.
CURING METHOD:-	RADIO FREQUENCY.
GRADE:-	POLISH/UPHOLSTERY