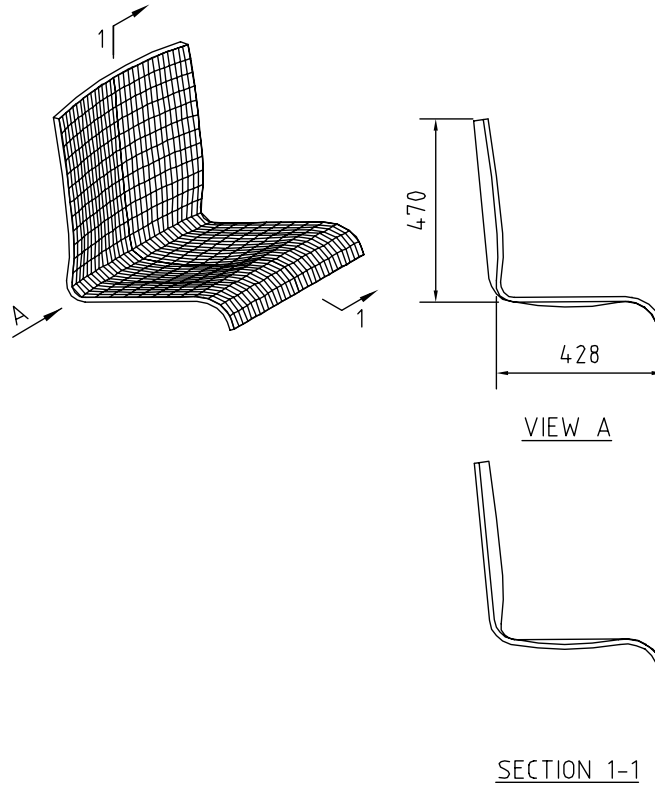


M.R.S.B 1



### SPECIFICATIONS CHAIR SHELL

TOTAL THICKNESS :-	12.8mm
NUMBER OF LAMINATIONS :-	8
MAXIMUM WIDTH :-	500
ADHESIVE :-	UREA FORMALDEHYDE GRASP CR560.
CURING METHOD:-	RADIO FREQUENCY.
GRADE:-	POLISH/UPHOLSTERY