

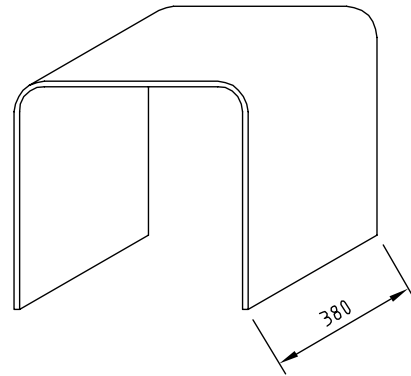
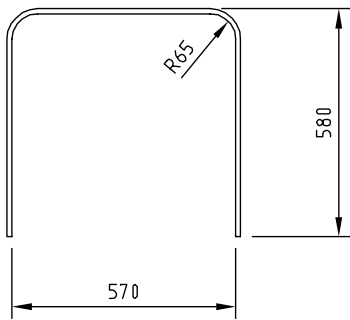


ABN 30 364 773 907

Curved Plywood Specialists

13 -15 Leah Grove,
Carrum Downs VIC, 3201.
Australia.
Tel: 61 3 9775 1663
Fax: 61 3 9775 1994
enq@slorachdesigns.com.au
www.slorachdesigns.com.au

NT-2A EXCLUSIVE



SPECIFICATIONS - NESTING TABLE

TOTAL THICKNESS:-	12.4 mm
NUMBER OF LAMINATIONS:-	7 x 1.6mm + 2 x 0.6mm
ADHESIVE:-	UREA FORMALDEHYDE GRASP CR560.
CURING METHOD:-	RADIO FREQUENCY.
GRADE:-	POLISH
MAX. WIDTH:-	380mm